



GLOBAL
FINISHING
SOLUTIONS



Ultra[®] Semi-Downdraft Booth with SpaceSaver[®] Air Heater

Installation Manual

Document Number: 239-056 rev 4

Publication date 01/20/2022

Read and keep this manual for future reference. All personnel operating the equipment described in this manual should review and understand all instructions before use.

Table of Contents

Introduction	4
About Global Finishing Solutions LLC	4
Contacting Global Finishing Solutions	4
Target audience	4
Conventions used in this manual	5
Safety notices	5
Information notices	5
General safety	6
Booth safety	9
Booth description	12
Preparing for installation	13
Accepting delivery of your booth	13
Gathering required documentation	14
Confirming site requirements	15
Confirming booth layout	15
About the Design Drawings document	17
Page elements	17
Page types	19
Required materials	21
Required tools	21
Recommended equipment	22
Installation best practices	23
Unpack in stages	23
Sort parts by size	24
Remove protective coating	24
Follow assembly guidelines	25
Installation procedure	26
Prepare the floor	26
Mark the booth footprint	26
Mark the column positions for the air heater frame	27
Install the SpaceSaver air heater	27
Assemble and brace the frame	27
Assemble the air heater	28
Mount the air heater on the frame	28
Install the floor channel	29
Build the back wall of the booth	30
<i>If applicable:</i> Build a solid end wall	30
<i>If applicable:</i> Build a drive-through end wall	30
Assemble the exhaust yoke	33
Install the exhaust fan	34
<i>For roof height over 15 feet:</i> Install the intake and exhaust stacks now	36

Build the side walls and front corners of the booth	36
Install the front wall header panel	38
Build the intake plenum	38
Install the plenum side panels	38
Install the plenum header panel	39
Install the plenum roof panels	39
Tighten the side walls, plenum roof, and front wall	39
Finish the top of the booth	40
Install hip light panels for the rear portion of the booth	40
Install the ceiling panels	40
Install the remaining hip light panels	41
Install the filter ceiling	41
<i>If applicable:</i> Install the AdvanceCure system	41
<i>If applicable:</i> Install the AdvanceCure cover kit	41
Install the product door	42
Install the door frame	42
Install the locking rods and door hardware	42
Install the door slabs	43
Install the personnel door	43
Install the corner covers	43
Install the diffuser assembly	44
Install the intake and exhaust stacks	44
Assemble the intake stack	44
Assemble the exhaust stack	45
<i>If applicable:</i> Install the guy-wire kit	46
Install the lights	47
Install the platform panels	48
<i>If applicable:</i> Install optional booth accessories	48
Install the operator interface terminal	48
Install miscellaneous electrical devices	49
Install the air-sensing tube	49
Install the temperature sensor	50
<i>If applicable:</i> Install the damper actuators	50
Install the air solenoid valve	51
Install the Economy Mode switch	52
Install the air-proving switch for the exhaust stack	52
<i>If applicable:</i> Install the puff switch	53
Secure the wall panels to the floor profile	53
Caulk the booth	53
Prepare the air heater for startup	53
Install booth filters	53
Install the filter racks and intake filters	53
Install the exhaust filters	54
Perform electrical hookup	55
Perform commissioning and startup	56

Introduction

About Global Finishing Solutions LLC

Leading the Industry in Paint Booth and Finishing System Technology

With decades of experience, Global Finishing Solutions is the leading manufacturer of paint booths and finishing systems for many industries, including automotive refinish, aerospace and defense, industrial manufacturing, woodworking, and large equipment. By combining high-quality components, strong relationships with paint manufacturers, and our experienced distribution network, GFS provides the best equipment and support to set your business up for success.

Contacting Global Finishing Solutions

General information

- Toll-free: 800-848-8738
- Fax: 715-597-2193
- Email: info@globalfinishing.com
- Online: www.globalfinishing.com

Technical support

- Toll-free: 800-848-8738
- Fax: 715-597-8818
- Email: techservices@globalfinishing.com

Parts and filters

- Toll-free: 800-848-8738
- Fax: 888-338-4584
- Email: parts@globalfinishing.com

Target audience

This document is intended for use by trained, experienced paint booth installers and maintenance technicians. If you have questions about the installation procedure described in this manual, contact GFS as described above.

Conventions used in this manual

This section describes how information is presented, organized, and referenced within this manual.

Safety notices

This manual uses the following standards to identify conditions related to safety hazards and equipment damage.

Table 1. Safety notices

Symbol	Description
DANGER	Indicates an imminent hazard that will result in death.
WARNING	Indicates a hazard that can result in serious personal injury or death.
CAUTION	Indicates a hazard that can result in personal injury.
NOTICE	Indicates a situation that can result in equipment or property damage, but poses no risk of personal injury.

Information notices

In addition to the safety notices described above, this manual uses a boldface keyword to identify certain other types of information.

Table 2. Information notices

Keyword	Description
NOTE	Denotes general information that provides additional context or guidance.
Important	Denotes information to which you should pay special attention.
Reference	Directs you to related content in a separate document.
Prerequisites	Specifies other tasks that must be completed or conditions that must exist before you perform the current task.
Scope	Describes limitations to the current task or conditions under which the task applies or does not apply to the procedure.

General safety

Follow all safety guidelines when assembling, operating, or servicing this product.

WARNING

There are inherent hazards associated with the operation and service of this equipment. For your personal safety, observe all safety information. Failure to observe these safety practices can result in personal injury or death.

WARNING

Operation and maintenance of this product must be performed properly by qualified personnel who observe the warnings in all documentation and notes provided with and on the product.

WARNING

Follow all general standards for installation and safety for work on installations. Follow all good practices for the proper use of lifting tackle and equipment. The use of protective equipment such as safety goggles and protective footwear must be considered.

WARNING

All persons who will operate, service, inspect, or otherwise handle this product must read and understand the safe operating practices, safety precautions, and warning messages in this documentation.

WARNING

The roofs of GFS equipment are not designed or intended to be walked upon or to support weight of any kind. As designed and manufactured, equipment roofs do not meet the minimum requirements of a safe walking and/or working surface under OSHA 1910.22. Under no circumstances should the roof be used by maintenance personnel or others for walking, standing, or storage of any kind. When necessary, roof access should be secured through the use of a properly supported platform that satisfies the minimum load requirements specified by ASCE 7 (Minimum Design Loads and Associated Criteria for Buildings and Other Structures) and ASCE 37 (Design Loads on Structures during Construction). Additionally, personnel should always utilize appropriate fall safety protocols when using an elevated platform. Use of the roof in a contrary manner may result in injury and/or death.

WARNING

Comply with OSHA guidelines and with all applicable local electrical, safety, and fire codes and standards.

WARNING

All field wiring provided must comply with local codes or, in the absence of local codes, the National Electrical Code (NFPA 70). Article 516 covers applicable of flammable and combustible materials.

WARNING

Electrical installation should be completed by a qualified electrician. Installation must meet all applicable national, state, and local electrical codes.

WARNING

Ensure that all electrical components are grounded to a central ground.

WARNING

Disconnect and lock out the main electrical service before installing, adjusting, or servicing the product.

WARNING

Lockout the main gas shutoff valve before maintenance or inspection of the air heater.

WARNING

Guards and covers that prevent contact with electrically energized or moving parts are required and must not be removed or left open during operation.

WARNING

Welding, cutting, and other spark-producing operations shall not be permitted in or adjacent to a booth until a written permit authorizing such work has been issued. The permit shall be issued by a person in authority following his or her inspection of the area to ensure that precautions have been taken and will be followed until the job is completed.

WARNING

Local fire and building codes require fire protection. Check with local inspector authorities for requirements.

CAUTION

Read and save these instructions before attempting to assemble, install, operate, or maintain the product described. Protect yourself and others by observing all safety information. Failure to comply with instructions could result in personal injury and/or property damage. Retain these instructions for future reference.

CAUTION

This manual contains statements that relate to worker safety. Read this manual thoroughly and comply as directed. Operate this equipment in accordance with the guidelines set forth in this manual. It is impossible to list all potential hazards of this equipment. Instruct all personnel involved with this equipment in the safe conduct and operation of the system. GFS recommends that only qualified personnel operate and maintain this equipment.

CAUTION

Safety signs, panels, and labels that are normally affixed to the product must be replaced immediately if illegible or missing.

CAUTION

New or replacement parts that are installed during repair or maintenance must include all safety signs, panels, and labels as specified by the manufacturer. These must be affixed to the new or replacement parts as specified by the manufacturer.

CAUTION

Where applicable, use earplugs or take other safety measures for hearing protection.

NOTICE

The product must be installed and serviced only by a trained, qualified service technician. Incorrect installation may void the warranty.

NOTICE

If you have questions about the warranty, please contact your distributor prior to contacting GFS.

Booth safety

DANGER

Ceiling panel load capacity for installation and maintenance: You must use temporary platforms that span at least two structural frames for maintenance. **Do not walk on or apply any pressure to lights or explosion (deflagration) relief panels.**

WARNING

All equipment must be operated and maintained in accordance with local, state, and federal (OSHA) requirements governing occupational safety, fire protection, and booth operations. Operators must read and understand GFS and included independent equipment and/or component manufacturer's instructions prior to use. **Disclaimer:** GFS is not responsible for any injury, illness, or property damage that results from not abiding by local, state, or federal (OSHA) requirements that govern occupational safety, fire protection, and booth operations. GFS is also not responsible for any injury, illness, or property damage that is the result of not adhering to GFS and/or independent equipment/component operating, service, maintenance, and/or installation requirement's or directives.

WARNING

Install the booth in compliance with locally enforced codes and standards.

WARNING

A fire suppression system is required by the International Fire Code and NFPA 33. A fire suppression system is not supplied with this booth.

WARNING

Do not allow overspray to accumulate on the inside of the paint booth walls. When overspray accumulates, remove it as soon as possible to prevent a possible fire hazard. Use a non-ferrous, non-sparking scraper to eliminate any possibilities of igniting combustible material.

WARNING

Do not leave piles of paint sweepings in the booth as it creates a possible fire hazard.

WARNING

Treat used filters and any other paint-contaminated items as flammable products and dispose of them safely.

WARNING

If coatings containing nitrocellulose are sprayed in the booth, all residue must be removed from exhaust diffuser components and all exhaust filters must be changed at least once a day.

WARNING

Improper disposal of used filters may cause spontaneous combustion. You must consult local authorities for proper storage and disposal requirements. Guidelines include:

- Immediately remove all contaminated filters from the paint booth.
- Discard filters to a safe, detached location, place them in a non-combustible container with tight-fitting lid, or place them in a water-filled metal container to prevent a possible fire hazard.
- Disposal varies depending on the type of paint that is being captured. Consult local authorities for storage and disposal requirements.

WARNING

Duct the exhaust air from the fan away from the working environment to the outdoors. Do not operate the booth unless exhaust has been ducted properly.

WARNING

Isolate the outdoor vent from air-conditioning intakes, windows, and any other equipment that may re-circulate the exhaust indoors.

WARNING

Turn on the exhaust fan before using the spray booth. Ensure that the exhaust fan is operating correctly before entering the booth.

WARNING

Check local codes to see if a booth interlock is required. A booth interlock prevents the spray devices from operating unless the exhaust fan is operating.

WARNING

Some spray activities may require the use of respiratory protection.

WARNING

Use an OSHA-approved paint spray respirator when spraying in the booth.

WARNING

This equipment is designed for the removal of particulate matter only. Reduction of volatile organic compounds (VOCs) requires either coating reformulation or optional, additional equipment.

CAUTION

Become familiar with all controls before operating or servicing this booth.

CAUTION

Proper door alignment is critical to the operation of the booth. Ensure that there is equal space around the doors. Move the bottom of the door jamb to the left or right or in and out until the doors are sealed and plumb.

CAUTION

If this installation includes pumps or compressors, install and connect those devices in accordance with the manufacturer's documentation.

NOTICE

GFS recommends storing crates indoors pending installation. If you must store crates outside, protect crates and their contents from moisture to prevent damage to equipment.

NOTICE

Install the control panel per NFPA 70 and local codes and standards.

NOTICE

Failure to anchor the booth structure to the floor properly may result in structural damage.

Booth description

GFS' Ultra Paint Booth line provides a premium, high-performance finishing environment for body shops and collision centers.

The semi-downdraft booth is a hybrid, combining features of both crossdraft and downdraft booths. Air is introduced to the working area through the ceiling in the first 25 to 30 percent of the booth. It is then pulled across the working area, over the product, and into the filtered exhaust chamber at the rear of the booth.

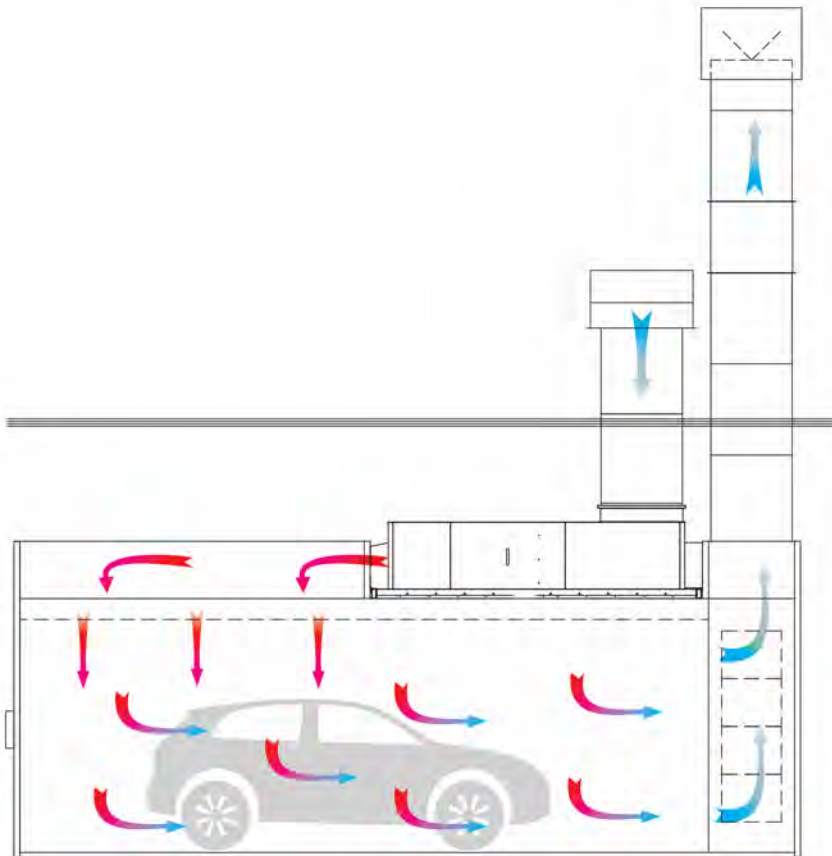


Figure 1. Airflow in a semi-downdraft booth with a SpaceSaver air heater

Preparing for installation

Accepting delivery of your booth

The booth is delivered unassembled, in multiple crates.

Upon delivery, count the number of crates you received and compare that number to the expected number per the Bill of Lading. Also inspect each crate for any signs of damage during shipment.

NOTE

If you see shipping damage, note it on the freight carrier's paperwork; failure to do so may result in claim denial.

If any parts are missing or damaged, contact Global Finishing Solutions at 800-848-8738 to speak to a Technical Service Representative.

NOTICE

GFS recommends storing crates indoors pending installation. If you must store crates outside, protect crates and their contents from moisture to prevent damage to equipment.

Gathering required documentation

Ensure that you can locate these documents and that they are available during the installation procedure.

NOTE

Certain manuals, project drawings, and the Job-Specific Guide are also provided electronically to distributors via box.com. Many manuals are available for download on globalfinishing.com.

Table 3. Additional documentation

Document	Description	How provided
Design Drawings	Provides instructions for assembling this particular booth and includes information about the booth order, configuration, and components.	Ships in the “Miscellaneous” box
Electrical Drawings	Provides wiring diagrams for electrical components.	Ships inside the air heater control panel
Control Panel Operator Manual	Setup and operation instructions for the appropriate control panel: <ul style="list-style-type: none"> • Engage® Control Panel Operator Manual • LOGIC 3 Control Panel Operator Manual • LOGIC 4 Control Panel Operator Manual 	Ships inside the air heater control panel
<i>If applicable:</i> Air heater owner’s manual	Installation, operation, and maintenance instructions for the air heater; either: <ul style="list-style-type: none"> • GUL/BT Series Owner’s Manual (for GUL and BT air heaters) • SpaceSaver® Series Owner’s Manual 	Ships inside the air heater control panel
Final Commissioning Document (D0420)	Includes all tasks related to booth startup and commissioning.	Ships inside the air heater control panel

Confirming site requirements

Before beginning the installation procedure, confirm that the site where the equipment will be assembled meets the following requirements:

- The floor where you will assemble the paint booth is level.

NOTE

If the floor is more than 1 inch out of level, you must shim or grout the floor to avoid any misalignment.

- The area is large enough to allow a minimum of 3 feet (914 mm) of clear space on all four sides of the booth, taking into account if additional space is needed for an air heater or Air Make-Up Unit. Check local codes and refer to NFPA guidelines to determine particular space allowances.
- There is sufficient overhead clearance for an exhaust unit and the exhaust ductwork in the area where the equipment is to be located.
- A licensed electrician has verified that the incoming power meets the requirements specified for the equipment. (The power specification is included with the submittal or provided at delivery.)
- The appropriate devices for lifting/rigging are available onsite. (Either purchased from GFS with the booth, or obtained elsewhere by the customer.)
- The appropriate miscellaneous hardware kits are available on-site. (Either purchased from GFS with the equipment, or obtained elsewhere by the customer.)

Confirming booth layout

Before beginning the installation procedure, review the booth configuration and layout with the end user. Be sure you understand what options this booth includes and how the end user wants to arrange the booth.

The GA page of the Design Drawings shows one *possible* booth layout. However, end users might want their booths arranged differently. **During installation, you must make the appropriate adjustments to the instructions to accommodate the actual booth layout.**

For best results, review the GA page of the Design Drawings drawing with the end user and discuss the items listed below:

- Is this booth a drive-through booth (a booth with a product door on each end) or a solid-back booth?
- For a drive-through booth:
 - Is the front product door a 3-slab door or 4-slab door?
 - Is the rear product door a 3-slab door or 4-slab door?
- Where does the end user want to locate the personnel door?
 - On the left or right side of booth?
 - At which panel position?
- Where does the end user want to place the operator interface terminal/HMI?

NOTE

Per NEC, the operator interface terminal cannot be located within 3 feet of any door opening. Refer to the HMI Installation page of the Design Drawings for more information about placement restrictions.

- On an exterior booth wall? (If so, specify which.)
- On a nearby wall? (If so, determine distance and orientation relative to booth.)
- Within the booth's interior, how does the end user want to arrange the wall lights?
- If the booth includes standard options and accessories, where should those items be located? (Examples include additional light fixtures, rotating access tables, observation windows, parts hangers, additional personnel doors, etc.)

About the Design Drawings document

Use this manual in conjunction with the provided Design Drawings document. This Design Drawings document defines the overall layout and detailed structure of your particular booth. If applicable, it also includes exploded-view diagrams and parts lists for each section (or subassembly) of the booth.

Page elements

Pages within the Design Drawings document contain the following elements:

- **Title block:** The title block is located along the right edge of each page. It contains the model information, drawing identification label or number, the order/serial number, and other information.
- **Model Info:** Contains text that identifies each page within the Design Drawings document, e.g., "Overall Assembly". When the installation instructions refer you to a specific page within the Design Drawings, look for that text in the Model Info field. (For a description of the various page types that might be included in your Design Drawings document, see "Page types" (page 19).)
- **Scale:** If the drawing is to scale, the scale is defined here (e.g., 3/16" = 1' 0"). Otherwise, this field contains "NTS," or "Not to Scale."
- **Drawings:** The main area of each page can contain any or all of these types of drawings:
 - An exploded and/or assembled view of the product or subassembly
 - Additional views or "Detail" drawings
- **Bill of Materials:** Any page that includes a drawing with labeled parts also includes a table that lists each item number with its corresponding part number and quantity.
- **Quantity per Booth:** Pages that show a subassembly of the product and list the quantity provided of that particular subassembly.
- **Notes:** Pages within the Design Drawings often contain notes that provide information about how to install that particular section or subassembly.

Page types

The Design Drawings document may contain any of the following pages that apply to your particular product.

Table 4. Page names in the Design Drawings document

Page name	Description
AdvanceCure	Provides instructions for installing the optional GFS AdvanceCure System. NOTE This page applies only to booths that include AdvanceCure.
AdvanceCure Intake & Discharge Cover Kit	Shows how to install cover plates at locations where the optional GFS AdvanceCure System integrates with the booth. NOTE This page applies only to booths that do not include the AdvanceCure.
Air Heater	Provides instructions for assembling the air heater.
Air Inlet Hood	Shows how to assemble the air inlet hood that goes on top of the intake stack.
Basement Ramp Assembly	Shows how to assemble vehicle ramps. NOTE This page applies only to downdraft booths that use a raised basement instead of a traditional pit.
Booth Caulking Guide	Provides instructions for applying caulk to the booth.
Corner Light Harness	Shows how to run the wire harness cables to the optional corner light from the control panel.
Corner Light Installation	Shows how to install optional corner lights.
Diffuser Assembly	Shows how to install the diffuser for an air heater with side-entry into the booth plenum.
Discharge Hood Assembly	Shows how to assemble the discharge hood that connects the air heater to the booth plenum. NOTE This page applies only to booths that have a BT or GUL air heater.
Door Frame	Shows how to install a product door frame. NOTE A Door Frame page is classified as “3 Slab Door” or “4 Slab Door,” depending on the type of product door that will be installed in that frame. NOTE If a particular door frame adjoins an exhaust yoke, that Door Frame page is further denoted as “TL-Y” (versus “TL” for a door frame that does not adjoin an exhaust yoke).
Door Slab	Shows how to install a product door and its associated hardware. NOTE A Door Slab page is classified as “3 Doors” or “4 Doors,” depending on how many door slabs comprise that product door.
Exhaust Yoke	Shows an exploded view of the exhaust yoke located at the rear of the booth. NOTE This page applies only to semi-downdraft booths.
Filter Ceiling	Shows how to install the filter ceiling.
Floor Profile	Shows how to install the floor channel and floor-leveling components; also specifies where to place the rear-most columns for the air heater frame.
Floor Profile Tek-Screw Detail	Shows how to secure the wall panels to the floor profile.

Page name	Description
Front Wall	<p>Shows an exploded view of a drive-through end wall (a wall that accepts a product door).</p> <p>NOTE A Front Wall assembly is always installed at the front of the booth. For drive-through booths (which have a product door at each end), a Front Wall assembly is <i>also</i> installed at the rear of the booth.</p> <p>NOTE A Front Wall page is classified as “3 Slab Door” or “4 Slab Door,” depending on the type of product door that will be installed at that end.</p>
GA	<p>Provides a top view of the booth as well as front, side, and rear elevations.</p> <p>NOTE The GA page shows the standard booth arrangement and is provided for reference only; it is <i>not</i> customized for the booth you are building.</p> <p>NOTE The actual placement of some components (such as the air heater, personnel door, wall lights, etc.) might be different than shown on this page. Always consult with the end user for placement details, as described in “Confirming booth layout” (page 15).</p>
Hip Panels	<p>Shows how to install the hip light panels.</p> <p>NOTE This page applies only to semi-downdraft booths.</p>
HMI Installation	<p>Provides instructions for installing the operator interface terminal.</p>
Locking Rod	<p>Shows how to install the locking rod assembly for product doors.</p>
Label Placement Instructions	<p>Shows where to place various booth labels, including exit, maintenance, and safety labels.</p>
Light Fixture Details	<p>Shows how to install booth lights.</p>
Overall Assembly	<p>Shows an exploded view of the entire booth; identifies the major components and sub-assemblies of the booth.</p>
Personnel Door	<p>Shows how to install a personnel door and its associated hardware.</p>
Rear Wall	<p>Shows an exploded view of a solid end wall.</p> <p>NOTE This page applies only to booths that are not drive-through booths.</p>
Recirc Duct Assembly	<p>Shows how to assemble and install the ductwork that goes between a recirc air heater and the exhaust yoke.</p>
Reflector Light Fixture	<p>Shows how to install the optional light-reflector kit.</p>
Roof Panels	<p>Shows how to install the roof panels.</p>
Roof Support Assembly	<p>Shows how to install the roof support assembly.</p>
Side Wall	<p>Shows an exploded view of a side wall.</p> <p>NOTE The Design Drawings always contains two Side Wall pages: one that includes a personnel door, and one that does not include a door.</p>
SpaceSaver Install	<p>Provides instructions for mounting a SpaceSaver air heater on its frame.</p>
Structural Frame Assembly	<p>Provides instructions for installing the SpaceSaver structural support frame.</p>
Temp Sensor & Diffuser/Baffle	<p>Provides instructions for installing the temperature sensor and a diffuser (for an air heater with side-discharge into the booth) or a baffle (for an air heater with down-discharge into the booth).</p>
Wire Harness	<p>Shows how to run the wire harness cables for the lights to the air heater control panel.</p>

Required materials

This section lists the tools, equipment, and documentation required for installing your booth.

NOTE

Depending on the type of equipment you are installing, additional tools may be required.

Required tools

- Screwdrivers
- Wrenches and socket set
- Hammer and mallet
- Load bar that can extend to at least 9 feet (108 inches)
- Filter-insertion tool (metal pizza cutter; approximately 3-inch to 4-inch diameter)
- Drift pins (two per person; 1/8-inch to 5/8-inch taper)
- Caulk gun
- Impact driver and drill
- Unibit or step drill bits
- Chalk and/or felt-tip marker (for marking initial measurements on floor)
- Chalk-line tool
- 4-foot box level
- Laser level (*Suggested:* Quad laser or rotary laser level)
- Tape measures (35-foot and 100-foot)
- Tin snips
- Duct crimping tool
- Torque nut runner
- Reciprocating saw
- *Optional:* Torch and welder in case modifications need to be made on site
- Tools required for decal placement:
 - Stiff squeegee
 - Spray bottle with soapy-water mixture
 - Paper towels
 - Scissors
 - Masking tape
 - Marker

Recommended equipment

- Ladders (6-foot and 8-foot)
- Two or more sawhorses
- Two 26-foot T scissor-lift platforms
- Warehouse forklift with 5000-pound lift weight and a maximum lift height higher than 16 feet

NOTE

Lifts and cranes are not required, but they may improve both the safety and speed of installation.

NOTE

The end user is responsible for providing any lifts, cranes, and material handlers. Alternatively, the end user can coordinate with the installer so the installer can rent those items before starting the work.

Installation best practices

Unpack in stages

As you begin each section of the installation procedure, unpack the crate(s) that contain the parts for that section. In general, the skids are organized so the parts that go together during assembly are packed on the same skid.

NOTE

For faster unpacking, use a reciprocating saw to cut the crates.



Figure 2. Skids awaiting unpacking

A packing list is attached to each crate. As you unpack a crate, compare all the parts with that crate's packing list to check for shortages or losses in transit. Also check parts for any damage that might have been caused in shipping.

NOTE

Slightly bent panels and angle braces can be straightened and will cause no performance or assembly problems.

If any parts are missing or damaged, contact Global Finishing Solutions at 800-848-8738 to speak to a Technical Service Representative.

Sort parts by size

To help installation proceed more efficiently, sort all parts by size as you unpack them (Figure 3).

Each part has a specific part number. The part number is either etched into the part or printed on a label affixed to the part (Figure 4).



Figure 3. Panels sorted by size in preparation for assembly

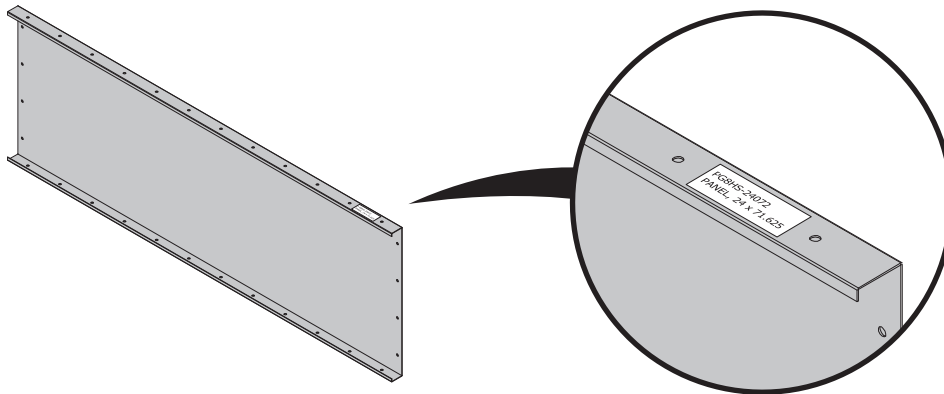


Figure 4. Example of a part number label

Remove protective coating

Some booth parts ship with a protective coating. For efficiency during installation:

- Remove the part number label from the part and set the label aside temporarily.
- Remove the blue protective coating from the part.
- Re-apply the part number label on the part. (Use tape to affix the label to the part, if necessary.)

Follow assembly guidelines

Follow these guidelines when assembling the booth:

- Assemble the booth in sections, following the sequence provided in this document.
- As you build each section, tighten the bolts only to finger-tight.
- Before tightening the bolts within a section, confirm that the section is plumb and square.
- When directed to do so, tighten the bolts within a section to *snug-tight*. Snug-tight is defined as “the tightness that is attained with a few impacts of an impact wrench or the full effort of an ironworker using an ordinary spud wrench to bring the plies into firm contact.” (RCSC 2014)
- **For dual-skin booths:** Orient panels and parts as shown on the assembly drawings.
- **For single-skin booths:** Orient panels so that each panel’s flanged side faces outward, and the non-flanged side faces the booth’s interior.
- **For all booths:** When applicable, orient bolts so that the bolt heads (and a washer) are on the booth’s interior and the threads are on the exterior.
- Use hardware as specified on the assembly drawings.
- Plumb the panels so that they are perpendicular to the floor. The sides of the booth must be parallel to each other.

Installation procedure

This procedure describes how to install an Ultra XD or XS booth with a SpaceSaver air heater.

Prepare the floor

Mark the booth footprint

Reference: Refer to the Floor Profile page of the Design Drawings.

1. Sweep the floor clear of debris.
2. Use a laser level to check the floor:
 - If the floor is out of level by **1 inch or less** over the full length of the booth, continue to the next step. (You do not need to take any corrective action now because you will be able to correct for slope when you install the floor leveling components later in the procedure.)
 - If the floor is **more than 1 inch** out of level over the full length of the booth, shim or grout the floor as needed to get it to within 1 inch of level. GFS does not provide shims.
3. Referring to the **Inside-to-Inside Width** and the **Inside-to-Inside Length** shown on the Floor Profile page of the Design Drawings, measure the booth's footprint on the floor and mark the corners.

NOTE

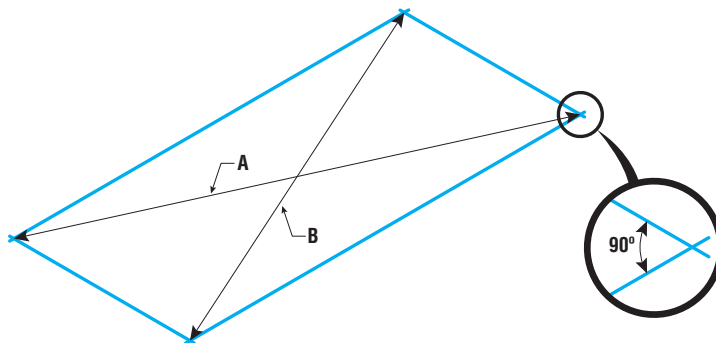
Ensure that the location allows for the clearances around the booth as specified in "Confirming site requirements" (page 15).

NOTE

Use a piece of chalk or other temporary mark at this stage, in case you have to adjust the position of the marks in the next step.

4. Measure the diagonals to confirm that the opposite sides are parallel and that adjacent sides are perpendicular to each other.

Re-measure and adjust the corner markings as needed until the diagonals are equal length.



5. After confirming that the measurements are correct and the angles are 90 degrees, snap chalk lines to mark the outline of the booth's footprint.

Mark the column positions for the air heater frame

Prerequisites: The booth footprint must already be marked on the floor as described in “Mark the booth footprint” (page 26).

1. Mark the position of the two rear-most air heater structural support frame columns (one column on the left side of the booth and one column on the right side).

NOTE

Refer to Detail A on the Floor Profile page of the Design Drawings to determine the distance between the booth’s rear corner and the rear-most columns.

2. Mark the position of the two foremost air heater structural support frame columns (one column on the left side of the booth and one column on the right side).

NOTE

Refer to the Structural Frame Assembly page of the Design Drawings to determine the distance between the air heater structural support frame columns.

Install the SpaceSaver air heater

Assemble and brace the frame

Prerequisites: The column positions for the frame must already be marked on the floor as directed in “Mark the column positions for the air heater frame” (page 27).

NOTE

This task requires three people: One person to operate the forklift and two people (on ladders) to guide the beams onto the columns.

NOTE

Do not install the platform panels during this step.

Reference: Refer to the Structural Frame Assembly page of the Design Drawings.

1. Place each column into position and secure it to the floor with two expansion anchors.

NOTE

GFS does not supply the anchors.

NOTE

Keep the anchor nuts loose to allow for movement when setting the air heater on the frame in “Mount the air heater on the frame” (page 28).

2. Install a beam between the two rear-most columns for the air heater structural support frame:
 - a. **Person 1:** Use a forklift to lift a beam into position between two columns.
 - b. **Persons 2 and 3:** As the beam nears your column, guide the end of the beam onto the top of the column.
 - c. **Persons 2 and 3:** Install a 1/2-inch 13-thread bolt into the top end of the beam assembly.

NOTE

Refer to Detail A on the Structural Frame Assembly page of the Design Drawings.

- d. **Persons 2 and 3:** Tighten or loosen the bolts at each end of the beam to raise or lower the beam to the required height.

NOTE

The height is noted on the main drawing of the Structural Frame Assembly page of the Design Drawings.

3. Repeat the previous step to install a beam between the two foremost columns for the air heater structural support frame.
4. Install temporary bracing on either the left or right side of the frame.

NOTE

Leave one side of the frame unbraced so that you have room to maneuver the forklift when you mount the air heater in “Mount the air heater on the frame” (page 28).

NOTE

You can either brace the columns to a building wall or install cross-bracing between the two columns.

NOTE

GFS does not supply the bracing.

Assemble the air heater

NOTE

Assemble the air heater on the floor. Leave the burner section and the filter section on their respective skids during assembly. Bolt the support beam channels and support cover panels to the sides of the burner section and filter section.

NOTE

If this is a recirc air heater, install the dampers during this task, but do *not* install the damper actuators. You will be directed to install the damper actuators later in the procedure, if applicable (see “*If applicable: Install the damper actuators*” (page 50)).

Reference:

- Refer to the Air Heater page of the Design Drawings while completing this task.
- Refer to the air heater owner's manual for additional installation, maintenance, and safety information.

Mount the air heater on the frame

Prerequisites:

- The frame must be assembled, anchored, and braced as directed in “Assemble and brace the frame” (page 27).
- The air heater must be assembled and resting on two skids as directed in “Assemble the air heater” (page 28).

NOTE

Refer to the notes on the Air Heater page of the Design Drawings for the air heater's weight and lifting recommendations.

Reference: Refer to the SpaceSaver Install page of the Design Drawings.

1. Position a forklift so that one fork is under each skid; then lift the air heater assembly and lower it into position on top of the frame.

NOTE

The brackets on the ends of each support beam assembly fit over the beams of the frame.

2. **Continue holding the air heater in place with the forklift** while you center the air heater on the frame.

NOTE

The brackets must align with the pre-drilled holes in the beams.

3. **Continue holding the air heater in place with the forklift** while you secure each bracket to its corresponding beam.

NOTE

There are four brackets in total: two on each side of the frame. Use four #12 Tek screws for each bracket.

4. After securing the brackets to the frame, remove the forklift support from under the air heater.

NOTE

The air heater was not attached to the skids, so the skids will come away with the forklift.

5. Install temporary bracing on the remaining pair of frame columns (the pair that was left unbraced in "Assemble and brace the frame" (page 27) to allow for forklift access).

NOTE

You can either brace the columns to a building wall or install cross-bracing between the two columns.

NOTE

GFS does not supply the bracing.

6. Confirm that all four columns of the air heater frame have temporary bracing in place.
7. Tighten the nuts on the column anchors.

Install the floor channel

Prerequisites: The air heater must already be mounted and secured on its frame.

Reference: Refer to the Floor Profile page of the Design Drawings.

1. Install the floor outer profiles.

NOTE

If necessary, grout and shim the floor outer profiles to ensure that they are not more than 1 inch out of level. GFS does not supply shims.

2. Anchor the floor outer profiles to the building floor.

NOTE

GFS does not provide the anchors.

3. Install and level the panel leveling profiles.

Build the back wall of the booth

Prerequisites: The floor channel must already be installed.

NOTE

Depending on the specific configuration for the booth, the back wall consists of either a solid wall or a product door. Refer to the Rear Elevation view on the GA page of the Design Drawings to determine which type of back wall is specified for this booth. Then proceed to the appropriate task to build either a solid end wall or drive-through end wall.

- **For a wall:** See “*If applicable: Build a solid end wall*” (page 30)
- **For a product door:** See “*If applicable: Build a drive-through end wall*” (page 30)

If applicable: Build a solid end wall

Scope: This task applies only if the booth does not have a product door at the rear of the booth. If there is a product door at the rear, perform “*If applicable: Build a drive-through end wall*” (page 30) instead of this task.

Reference: Refer to the Rear Wall page of the Design Drawings.

1. Install the vertical wall panels, the adjacent channels (if applicable), and the corner angles.

NOTE

Do not install the corner covers at this time. (You will install them later in the procedure; see “Install the corner covers” (page 43).)

NOTE

Channels are applicable only for dual-skin booths.

2. Install the horizontal header panel (and tie angles, if applicable) above the vertical wall panels.

NOTE

Tie angles are applicable only for single-skin booths.

3. Ensure that the completed wall is plumb, square, and level.
4. Tighten all bolts in the wall to snug-tight.

If applicable: Build a drive-through end wall

Scope: In Ultra booths, this task always applies to the front end wall. If this booth is a drive-through booth (that is, if it has a product door at both the front and rear of the booth), then this task also applies to the rear end wall.

Reference:

- For steps related to wall assembly, refer to the Front Wall page of the Design Drawings.
- For steps related to the GFS Ultra decal, refer to the Label Placement Instructions page of the Design Drawings. Also see “Required tools” (page 21) for a list of tools required for decal placement.

IMPORTANT

For a drive-through booth, be aware of which end of the booth you are working at (front or rear). Refer to the Overall Assembly page of the Design Drawings to determine which front wall assembly should be used at that end of the booth. Then use the corresponding Front Wall page as you build that wall.

1. Install the end wall vertical panels and adjoining corner angles.

NOTE

Do not install the corner covers at this time. (You will install them later in the procedure; see “Install the corner covers” (page 43).)

2. Obtain the header panel and place it across two sawhorses with its exterior side facing up.
3. Inspect the header panel and ensure that it is clean.

NOTE

If necessary, spray the panel with soapy water and wipe it dry with a lint-free cloth.

4. Ensure that your hands are clean; then obtain the GFS Ultra decal from the Miscellaneous box.
5. Lightly fold the decal in half and create a slight indentation at the middle of the decal; then place masking tape to mark the middle of the decal.



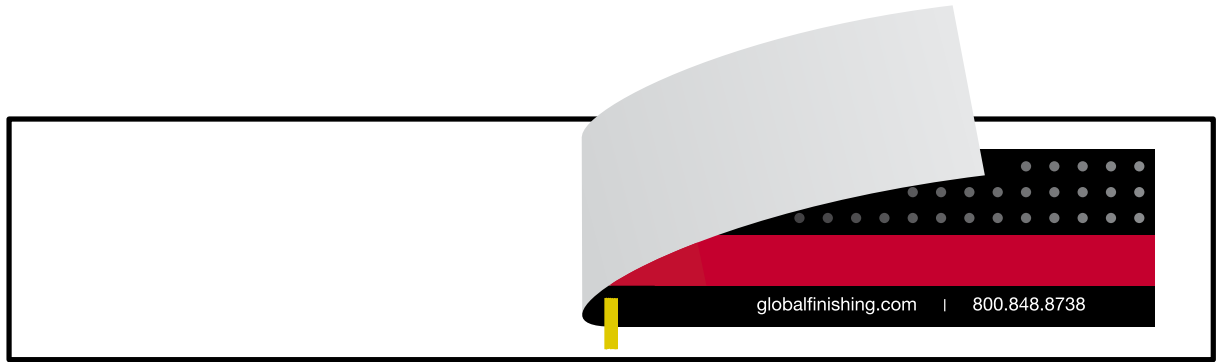
6. Locate the center of the header panel; then use masking tape to temporarily secure the center of the decal to the center of the panel.

NOTE

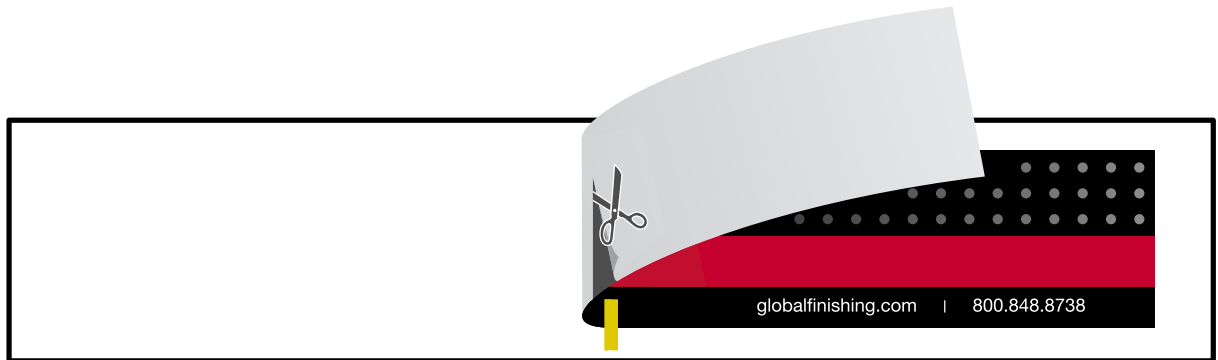
Orient the decal so that it will be right-side up when the header panel is installed.



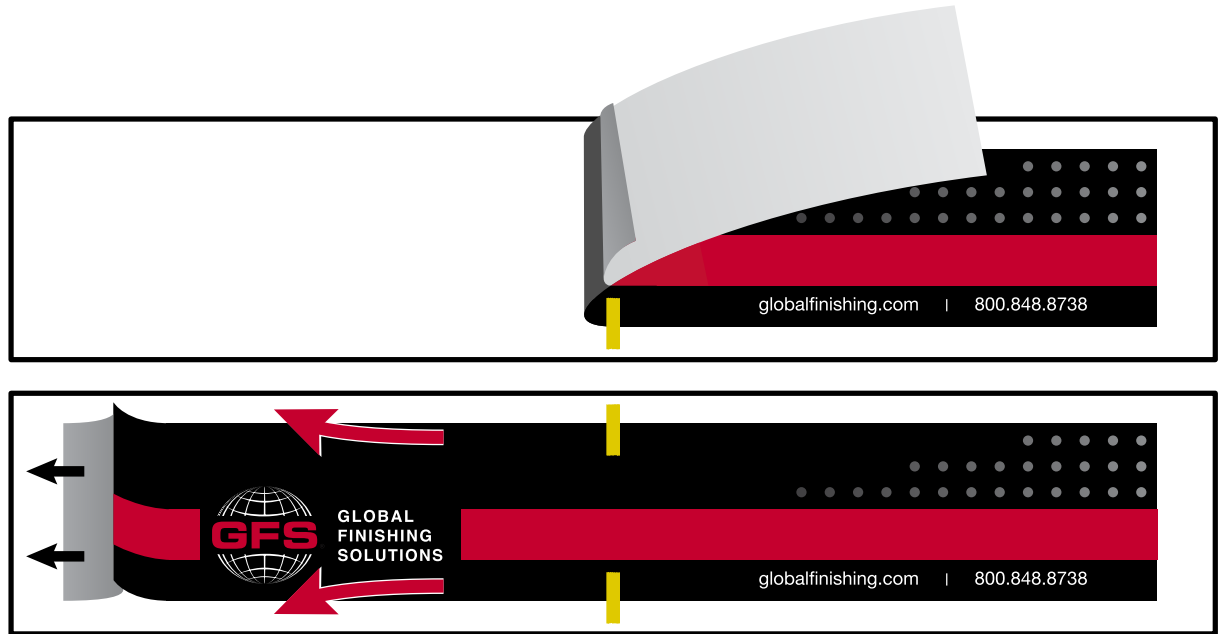
7. Pull back one side of the decal as far as possible (up to where the center of the decal is taped to the panel) and liberally spray the panel beneath with soapy water.



8. Create a starting point near the center of the decal for peeling off the backing:
 - a. Working as closely as possible to where the center of the decal is taped to the panel, carefully separate the backing from the decal.
 - b. Cut or tear the backing across the height of the decal (in as straight a line as possible) to make a starting point for peeling.



9. Grasp the cut (or torn) edge of the backing paper for the side of the decal that is folded back; then begin peeling off the backing paper as you lay the folded-over half of the decal back onto the panel. Every few inches, use the plastic squeegee to remove wrinkles and air bubbles. Continue peeling off the backing and smoothing the decal onto the panel with the squeegee until that half of the decal is fully applied.



10. Remove the masking tape from the decal.
11. Affix the other half of the decal to the panel:
 - a. Pull back the other side of the decal as far as possible (up to where the first side is affixed to the panel).
 - b. Liberally spray the panel beneath the folded-back half with soapy water.
 - c. Repeat step 9 for this half of the decal.
12. Wipe off any excess water from the decal and panel.
13. Install the header panel (with decal already applied).

NOTE

Ensure that the GFS Ultra decal faces the booth's exterior.

NOTE

After installing the panel, double-check for hand prints or smudges; clean the panel, if necessary.

14. Install the frontal roof support that spans the header panel and the vertical panels.
15. Ensure that the completed wall is plumb, square, and level.
16. Tighten all bolts in the wall to snug-tight.

Assemble the exhaust yoke

Prerequisites: The appropriate end wall must already be installed at the rear of the booth (either a drive-through end wall or a solid-back end wall, depending on the booth configuration).

NOTE

For booths with a recirc air heater, explosion relief is required for compliance with NFPA 33. Refer to the guidelines on the Exhaust Yoke page of the Design Drawings.

Reference: Refer to the Exhaust Yoke page of the Design Drawings.

1. Tek-screw each exhaust-yoke angle to the adjoining end-wall panel.

NOTE

Refer to the Chamber to Wall Connection Detail on the Exhaust Yoke page of the Design Drawings.

2. Tek-screw the front filter panels of the exhaust yoke to the adjoining side wall panels.

NOTE

In conjunction with this step, you must also install one or more of the rear-most vertical side wall panels on each side of the booth, and the short plenum panel that fits above them. (The short plenum panels from the Side Wall assemblies form the left and right sides of the exhaust-yoke plenum.)

- **For dual-skin booths:** Install the rear-most vertical panel of the side wall. If that panel is too narrow to support the short plenum panel, install a channel and then the next vertical wall panel. Connect the short plenum panel to the vertical panels and to the exhaust yoke.
- **For single-skin booths:** Install the vertical panels that fit under the rear-most tie angle; install the tie angle above that group of vertical panels; then connect the short plenum panel to the tie angle and to the exhaust yoke.

NOTE

Refer to the appropriate Side Wall page of the Design Drawings and to “Build the side walls and front corners of the booth” (page 36) for more information about installing side walls.

3. Bolt the side filter panels to the exhaust-yoke angles and to the front filter panels.
4. Bolt a corner angle to the adjoining side wall panel above each front filter panel; then lift the exhaust-yoke header panel into place and bolt each end to the corresponding corner angle.
5. Place and bolt together the fan panel and the roof panels.
6. Working from the left and right sides of the exhaust yoke toward the center, place and bolt the panels that form the floor of the exhaust-yoke plenum.
7. Apply the foam tape and install the access panel.
8. Ensure that the completed exhaust yoke is plumb, square, and level.
9. Tighten all bolts in the exhaust yoke to snug-tight.
10. **If this booth uses a recirc air heater:** Bolt the recirc duct panel (extending from the filter section of the air heater) to the exhaust-yoke header panel.

NOTE

The exhaust-yoke header panel has a pre-cut opening where the recirc duct panel connects. For more information, refer to the notes on the Air Heater page of the Design Drawings.

Install the exhaust fan

Prerequisites: The exhaust yoke must already be installed as described in “Assemble the exhaust yoke” (page 33).

NOTE

This task also includes installation of the ductwork that runs from the exhaust-yoke fan plate to the exhaust fan.

NOTE

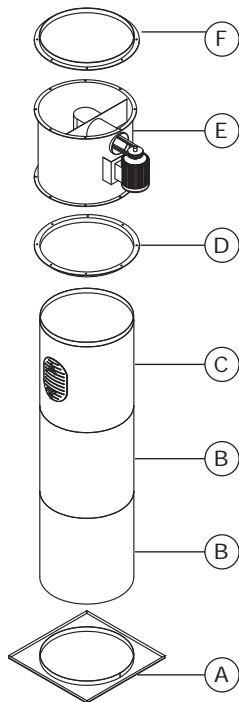
To connect duct sections together:

- Slip the bottom of one duct section into the top of the previous duct section.
- Ensure that the duct section is level north-south and east-west.
- Tek-screw the duct section to the previous duct section from the inside out.

NOTE

When placing the exhaust fan, observe the airflow and blade rotation indicators on the outside of the exhaust fan housing.

Reference: Refer to the diagram below and to the RH Side Elevation view on the GA page of the Design Drawings.



- A: Exhaust-stack base plate*
- B: Plain duct section*
- C: Clean-out duct (plain duct section with clean-out door)*
- D: Fan ring (flange up; duct lip down)*
- E: Exhaust fan*
- F: Fan ring (flange down; duct lip up)*

1. Install the first section of plain duct:
 - a. Place a plain duct section over the duct lip of the exhaust-stack base plate.
 - b. Ensure that the duct section is level north-south and east-west.
 - c. Tek-screw the duct section to the duct lip from the inside out.
2. Install the second section of plain duct.

NOTE

Follow the procedure for connecting duct sections together in the notes at the beginning of this task.

3. Connect the clean-out duct to the previous duct section.

NOTE

Follow the procedure for connecting duct sections together in the notes at the beginning of this task.

4. Connect a fan ring to the clean-out duct:
 - a. Orient the fan ring with the duct lip facing down and the flange facing up.
 - b. Slip the duct lip into the top of the clean-out duct.
 - c. Tek-screw the fan ring to the duct from the inside out.
5. Use a forklift to place the exhaust fan onto the fan ring, orienting the fan so that the fan motor points to the appropriate side of the booth.

NOTE

Refer to the GA page of the Design Drawings to see how the fan motor should be oriented relative to the booth.

6. Bolt the fan to the fan ring using 8-mm hardware (nuts, bolts, and washers).

NOTE

Tighten the bolts to finger-tight until they are all installed; then tighten them to snug-tight.

7. Connect another fan ring to the flange on the top of the exhaust fan.

NOTE

Orient this fan ring with its flange facing down and duct lip facing up. Bolt the fan ring to the fan as described in the previous step.

For roof height over 15 feet: Install the intake and exhaust stacks now

Scope: This task applies only if the building's roof height is **over 15 feet**. If the roof height is 15 feet or lower, skip this task.

NOTE

If the building's roof height is over 15 feet, you should install the intake and exhaust stacks now, before you build the rest of the booth. Otherwise, some booth components will be in the way when you build the stacks.

Jump ahead in the procedure to "Install the intake and exhaust stacks" (page 44) and follow the directions there to install the intake stack and exhaust stack; then resume the procedure from this point.

NOTE

An end user who is installing the optional guy-wire kit (on either or both stacks) can proceed with that work as soon as you have completed the full stacks. See "*If applicable: Install the guy-wire kit*" (page 46) for more information.

Build the side walls and front corners of the booth

Prerequisites: The exhaust fan must already be installed as directed in "Install the exhaust fan" (page 34). If the roof of this building is more than 15 feet high, the intake and exhaust stacks should already be installed as directed in "*For roof height over 15 feet: Install the intake and exhaust stacks now*" (page 36).

NOTE

The rear-most panels of each side wall were installed during the exhaust-yoke task (see “Assemble the exhaust yoke” (page 33)). In this task, you will continue building each side wall from that point, working forward to the front corner of the booth.

NOTE

Do not install the side wall plenum panels during this task.

Reference: Refer to the Side Wall page of the Design Drawings.

NOTE

The Design Drawings contain two Side Wall pages: one that includes a personnel door, and one without a personnel door. Use the appropriate page depending on whether the particular side wall you are building includes a personnel door or not.

NOTE

When building a wall that includes a door, use the Side Wall page of the Design Drawings (with personnel door) as a guide, but adjust the position of the door depending on where the end user wants the door located. The personnel door can be swapped with any 36-inch vertical side-wall panel. Install any panels and channels that frame the door, but **do not hang the door or install any door hardware during this step.**

1. **For dual-skin booths:** Starting from where you left off with the side wall during exhaust-yoke assembly and working forward, finish building the left or right side wall:
 - a. Continue alternating channels and vertical panels until you reach the front end of that side wall.
 - b. Referring to Detail A on the Roof Panels page of the Design Drawings, install one hip light panel support.

NOTE

The hip light panel support connects to the top of the vertical side wall panels and abuts the side panel of the exhaust-yoke plenum.

- c. Referring to the Front Wall page of the Design Drawings, install the corner angle and the vertical front-wall panel that adjoin this side wall.

NOTE

Do not install the corner covers at this time. (You will install them later in the procedure; see “Install the corner covers” (page 43).)

2. **For single-skin booths:** Starting from where you left off with the side wall during exhaust-yoke assembly and working forward, finish building the left or right side wall:
 - a. Install the vertical wall panels that will fit under the next tie angle; then install the tie angle that spans that group of vertical panels.
 - b. Continue installing the side wall in sections (a few vertical panels; then the tie angle that spans them) until you reach the front end of that side wall.
 - c. Referring to Detail A on the Roof Panels page of the Design Drawings, install one hip light panel support.

NOTE

The hip light panel support connects to the tie angle on top of the vertical side wall panels, and abuts the side panel of the exhaust-yoke plenum.

- d. Referring to the Front Wall page of the Design Drawings, install the corner angle and the vertical front-wall panel that adjoin this side wall.

NOTE

Do not install the corner covers at this time. (You will install them later in the procedure; see “Install the corner covers” (page 43).)

3. Repeat step 1 or step 2 (as appropriate) to build the opposite side wall and front corner.

Install the front wall header panel

Prerequisites: The side walls must already be completed as described in “Build the side walls and front corners of the booth” (page 36).

Follow the instructions in “*If applicable: Build a drive-through end wall*” (page 30) to apply the GFS logo and install the front wall header panel.

NOTE

You should have already installed the front-wall corner angles and vertical panels when you completed the side walls in “Build the side walls and front corners of the booth” (page 36), so you do not need to perform step 1 of “*If applicable: Build a drive-through end wall*” (page 30).

NOTE

Do not perform the last two steps of “*If applicable: Build a drive-through end wall*” (page 30) (to plumb, square, and tighten the front wall) at this time. You will be directed to perform those steps later in the procedure.

Build the intake plenum

Prerequisites: The front wall of the booth must be installed as directed in “Install the front wall header panel” (page 38).

Install the plenum side panels

Reference: Refer to the Side Wall page of the Design Drawings.

NOTE

The Design Drawings contain two Side Wall pages: one that includes a personnel door, and one without a personnel door. Use the appropriate page depending on whether the particular side wall you are building includes a personnel door or not.

1. **For dual-skin booths:** Install a plenum panel above the side-wall vertical panels on the left or right side of the booth.

NOTE

Position the plenum panel at the front end of the side wall. Connect the plenum panel to the side-wall vertical panels and to the adjoining front-wall corner angle.

2. **For single-skin booths:** Install a plenum panel above the side-wall vertical panels on the left or right side of the booth.

NOTE

Position the plenum panel at the front end of the side wall. Connect the plenum panel to the tie angle that spans the side-wall vertical panels and to the adjoining front-wall corner angle.

3. Repeat step 1 or step 2 (as appropriate) to install the plenum side panel above the opposite side wall.

Install the plenum header panel

Prerequisites: The plenum side panels must be installed as directed in “Install the plenum side panels” (page 38).

Reference: Refer to the Roof Panels page of the Design Drawings.

1. Install the corner angles.
2. Lift the header panel into position between the side walls of the booth and bolt it to the corner angles.
3. Install the plenum end panels.
4. **If this booth does not include the GFS AdvanceCure system:** Install a motor support cover panel over the corresponding hole near each end of the header panel.

Install the plenum roof panels

Prerequisites: The plenum header panel must already be installed as directed in “Install the plenum header panel” (page 39).

NOTE

The plenum roof extends from the front wall of the booth to the plenum header panel.

NOTE

For booths with a recirc air heater, explosion relief is required for compliance with NFPA 33. Refer to the guidelines on the Roof Panels page of the Design Drawings.

Reference: Refer to the Roof Panels page of the Design Drawings.

Tighten the side walls, plenum roof, and front wall

Prerequisites: The intake plenum must already be installed as directed in “Build the intake plenum” (page 38).

1. Ensure that the side walls of the booth and the plenum roof panels are plumb, square, and level.
2. Tighten all bolts in the side walls and plenum roof panels to snug-tight.
3. Ensure that the front end wall is plumb, square, and level.
4. Tighten all bolts in the front end wall to snug-tight.

Finish the top of the booth

Install hip light panels for the rear portion of the booth

Prerequisites: The high roof panels (the intake plenum roof) must already be installed as described in “Install the plenum roof panels” (page 39).

Reference: Refer to the Hip Panels page of the Design Drawings.

1. Starting at the exhaust yoke on either the left or right side of the booth:
 - a. Tek-screw a hip light end panel to the exhaust yoke.
 - b. Working forward, install hip light panels (and hip light panel gussets, if applicable) until you reach the plenum header panel.
2. Repeat step 1 on the opposite side of the booth.
3. When the hip light panels extend to (or just past) the plenum header panel on both sides of the booth, continue to “Install the ceiling panels” (page 40).

Install the ceiling panels

Prerequisites: The rear hip light panels must already be installed as directed in “Install hip light panels for the rear portion of the booth” (page 40).

NOTE

The ceiling panels surround the air heater.

NOTE

The ceiling panels that fit along the left and right sides of the air heater (relative to the front of the booth) are different than the ceiling panels that fit along the front and back ends of the air heater. Be sure to install the correct type of ceiling panel in each location.

Reference: Refer to the Roof Panels page of the Design Drawings.

1. Connect a ceiling panel to the hip-light-panel support on the left and right side of the booth.

NOTE

The hip-light-panel supports were installed in “Build the side walls and front corners of the booth” (page 36).

2. Tek-screw the rear-most ceiling panel to the exhaust yoke and to the adjoining ceiling panel on each side.

NOTE

Refer to the Chamber to Wall Connection Detail on the Exhaust Yoke page of the Design Drawings.

3. Tek-screw the front-most ceiling panel to the header panel and to the adjoining ceiling panel on each side.
4. Fine-tune the height and leveling of the air heater frame.
5. Bolt the ceiling panels to the air heater.

NOTE

See the SpaceSaver to Roof Connection Detail on the Roof Panels page of the Design Drawings.

6. After the air heater is tied into the ceiling panels, remove the temporary bracing on the air heater frame.

Install the remaining hip light panels

Prerequisites: The ceiling panels must already be installed as directed in “Install the ceiling panels” (page 40).

NOTE

In this task, you will continue installing hip light panels along each side of the booth, starting from where you left off in “Install hip light panels for the rear portion of the booth” (page 40) and working forward to the front of the booth.

Reference: Refer to the Hip Panels page of the Design Drawings.

Install the filter ceiling

Prerequisites: All remaining hip light panels must already be installed as directed in “Install the remaining hip light panels” (page 41).

NOTE

The filter ceiling extends the length of the plenum (that is, from the front wall to the plenum end panel).

NOTE

Do not install the filter racks or the intake filters during this step. You will be directed to do so later in the procedure (see “Install the filter racks and intake filters” (page 53)).

Reference: Refer to the Filter Ceiling of the Design Drawings.

***If applicable:* Install the AdvanceCure system**

Scope: This task applies only if this booth includes the GFS AdvanceCure System.

Prerequisites: The roof panels must already be installed.

Reference: Refer to the AdvanceCure pages of the Design Drawings. (The Design Drawings contain four pages, numbered “x.1” through “x.4,” where “x” is the overall sheet number for the print in this particular Design Drawings document. The sheet number is located in the lower right corner of the print.)

NOTE

Install the AdvanceCure filters during this task, as directed on the AdvanceCure “x.3” page of the Design Drawings.

***If applicable:* Install the AdvanceCure cover kit**

Scope: This task applies only if this booth does not include the optional GFS AdvanceCure System.

Prerequisites: The roof panels must already be installed.

Reference: Refer to the AdvanceCure Intake & Discharge Cover Kit page of the Design Drawings.

Install the product door

Prerequisites: The filter ceiling must already be installed as directed in “Install the filter ceiling” (page 41).

Install the door frame

Reference: Refer to the Door Frame page of the Design Drawings.

IMPORTANT

For a drive-through booth, be aware of which end of the booth you are working at (front or rear). Refer to the Overall Assembly page of the Design Drawings to determine which door frame assembly should be used at that end of the booth. Then use the corresponding Door Frame page of the Design Drawings as you install the frame.

1. Install the floor profile for the door frame:
 - a. Find the high point on the floor within the “rough opening” area.
 - b. Set the floor profile for the door frame at that high point; then shim and grout the rest of the rough opening to that high point.

NOTE

GFS does not provide shims.

- c. Anchor the floor profile for the door frame.

NOTE

GFS does not provide the anchors.

2. Build the rest of the door frame (door posts, door frame support angles, and door header).

NOTE

Tighten bolts only to finger-tight.

3. Install the proximity sensor.
4. Ensure that the completed door frame is plumb, square, and level.
5. Tighten all bolts in the door frame to snug-tight.
6. Install the covers on the door floor profile, door posts, and door header.
7. Install the outer door hinges.

Install the locking rods and door hardware

Prerequisites: The door frame must already be installed as directed in “Install the door frame” (page 42).

NOTE

The number of locking rods required for a product door depends on the number of door slabs:

- A 3-slab door requires two locking rods.
- A 4-slab door requires three locking rods.

References:

- Refer to the Locking Rod page of the Design Drawings.
- Refer to the Door Slab page of the Design Drawings.

Install the door slabs

Prerequisites: The door frame and locking rods must already be installed.

Reference: Refer to the Door Slab page of the Design Drawings.

IMPORTANT

For a drive-through booth, be aware of which end of the booth you're working at (front or rear). Refer to the Overall Assembly page of the Design Drawings to determine which door slab assembly should be used at that end of the booth. Then use the corresponding Door Slab page of the Design Drawings as you install the slabs.

Install the personnel door

Prerequisites: The side wall where the door will be located must already be installed (including door posts, door header, and threshold).

Reference: Refer to the Personnel Door page of the Design Drawings.

NOTE

For dual-skin booths: Read and follow the Dual Skin Installation notes on the Personnel Door page of the Design Drawings.

NOTE

For single-skin booths: Read and follow the Single Skin Installation notes on the Personnel Door page of the Design Drawings.

Install the corner covers

Prerequisites: All four booth walls must already be assembled.

Reference: Refer to the appropriate page of the Design Drawings depending on the type of end wall that adjoins each corner.

- **For a drive-through end wall:** Use the Front Wall page of the Design Drawings. If the booth is a drive-through booth, refer to the Overall Assembly page of the Design Drawings to determine which Front Wall assembly applies at each end of the booth.

- **For a solid end wall:** Use the Rear Wall page of the Design Drawings.

Install the diffuser assembly

References:

- For the general location of the diffuser assembly in relation to the rest of the booth, refer to the Overall Assembly page of the Design Drawings.
- For instructions on building the diffuser assembly, refer to the Diffuser Assembly page of the Design Drawings.
- For instructions on installing the diffuser assembly, refer to the Temp Sensor & Diffuser/Baffle page of the Design Drawings. On that page, refer to Section D-D in the Horizontal Discharge SpaceSaver Air Heater panel.

Install the intake and exhaust stacks

Scope: If you installed the intake and exhaust stack earlier in the procedure, skip this task and continue to “Install the lights” (page 47).

Assemble the intake stack

Prerequisites: The air heater must already be secured to the frame as described in “Mount the air heater on the frame” (page 28).

IMPORTANT

If the roof opening is already cut, install all intake ductwork (including the air inlet hood) during this step. If the roof opening is *not* cut, install the intake ductwork to just below the roof. (In that case, you will have to finish installing the rest of the ductwork later, after the roofer has cut the roof opening.)

NOTE

Per NFPA 33, the air inlet hood on top of the intake stack and the automatic roof ventilator (ARV) on top of the exhaust stack must be at least 10 feet away from each other.

NOTE

To connect duct sections together:

- Slip the bottom of one duct section into the top of the previous duct section.
- Ensure that the duct section is level north-south and east-west.
- Tek-screw the duct section to the previous duct section from the inside out.

Reference: Refer to the RH Side Elevation view on the GA page of the Design Drawings for the intake stack duct sequence.

1. Connect the first section of plain duct:
 - a. Place a section of plain duct over the intake-stack base plate on top of the air heater.
 - b. Ensure that the duct section is level north-south and east-west.

- c. Tek-screw the duct from the inside out.
2. *If applicable:* Continue connecting all necessary plain duct sections as required for the intake stack.

NOTE

Follow the procedure for connecting duct sections together in the notes at the beginning of this task.

3. Assemble the air inlet hood.

NOTE

For instructions, refer to the Air Inlet Hood page of the Design Drawings.

- a. Orient the base plate assembly with the duct lip facing down and insert it into the top section of plain duct.
- b. Level the base plate square-to-round; then Tek-screw the base plate to the duct section from the inside out.
- c. Assemble the two end panels and the top panel of the air inlet hood.
- d. Install the two side panels on the air inlet hood.
- e. Install the two screen panels on the air inlet hood.
- f. Place the assembled hood onto the base plate and ensure that it is level north-south and east-west.
- g. Bolt the sides of the hood to the base plate and Tek-screw the screen to the base plate.
4. Working down from the air inlet hood to the air heater, caulk the outside of all connections in the intake stack.

NOTE

Caulk all duct-to-duct connections and all assembly seams.

Assemble the exhaust stack

Prerequisites: The exhaust fan must already be installed.

IMPORTANT

If the roof opening is already cut, install all exhaust ductwork (including the ARV) during this step. If the roof opening is *not* cut, install the exhaust ductwork to just below the roof. (In that case, you will have to finish installing the rest of the ductwork later, after the roofer has cut the roof opening.)

NOTE

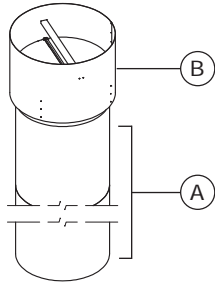
Per NFPA 33, the air inlet hood on top of the intake stack and the automatic roof ventilator (ARV) on top of the exhaust stack must be at least 10 feet away from each other.

NOTE

To connect duct sections together:

- Slip the bottom of one duct section into the top of the previous duct section.
- Ensure that the duct section is level north-south and east-west.
- Tek-screw the duct section to the previous duct section from the inside out.

Reference: Refer to the diagram below and to the RH Side Elevation view on the GA page of the Design Drawings.



A: One or more sections of plain duct
B: Automatic Roof Ventilator (ARV)

1. Confirm that a fan ring is bolted to the top of the exhaust fan.

NOTE

If the fan ring is not present, install it now as directed in “Install the exhaust fan” (page 34).

2. Connect a section of plain duct to the fan ring.
 - a. Place a plain duct section over the duct lip of the fan ring.
 - b. Ensure that the duct section is level north-south and east-west.
 - c. Tek-screw the duct section to the duct lip from the inside out.
3. *If applicable:* Continue connecting all the necessary plain duct sections as required for the exhaust stack.

NOTE

Follow the procedure for connecting duct sections together in the notes at the beginning of this task.

4. Install the ARV:
 - a. Slip the bottom of the ARV over the top-most duct section.
 - b. Ensure that the ARV is level north-south and east-west.
 - c. Tek-screw the ARV to the duct section from the inside out.
5. Working down from the ARV to the exhaust fan, caulk the outside of all connections in the exhaust stack.

NOTE

Caulk all duct-to-duct connections and all assembly seams.

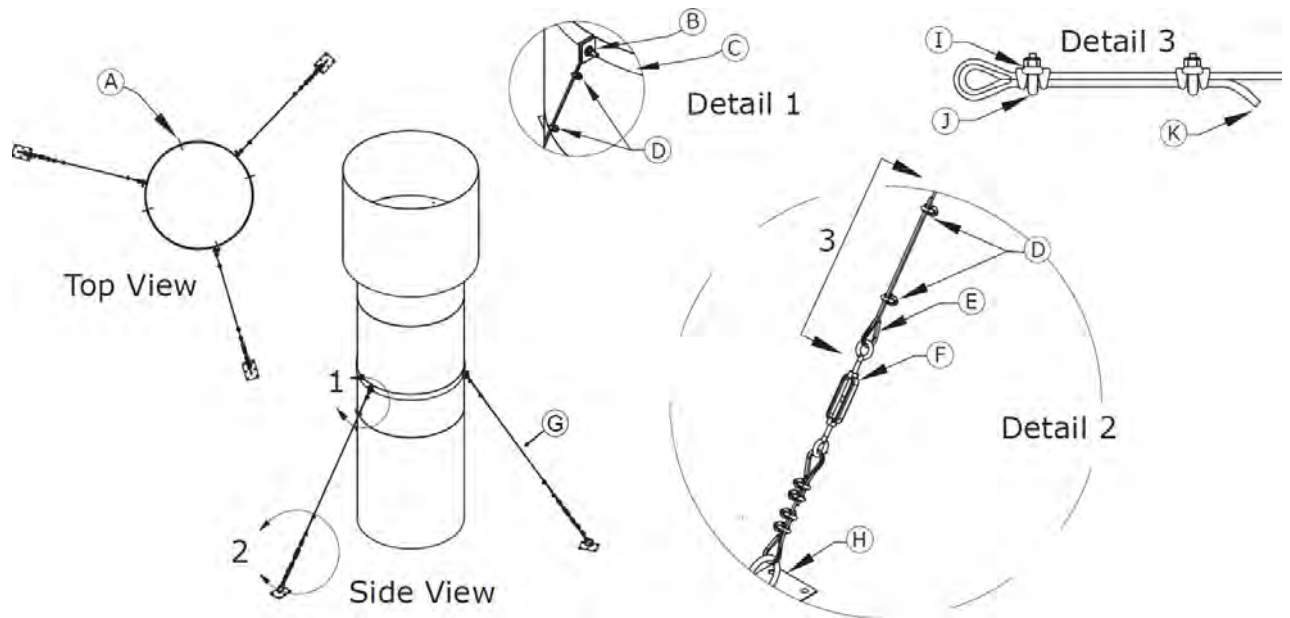
***If applicable:* Install the guy-wire kit**

NOTE

Install the guy-wire kit per the instructions below. It is the responsibility of the customer or their agent (for example, a roofer or building contractor) to supply and install the cable tie-off points on the building roof (plate with ring). The diagram below is provided for reference only.

NOTE

Use #10 Tek screws to attach duct strap to exhaust duct; caulk to seal.



- A: #10 Tek screw
- B: For each connection, use one cable thimble; one 5/16-inch x 1-1/2-inch bolt; two 5/16-inch flat washers; one 5/16-inch lock washer; and one 5/16-inch nut.
- C: Duct strap
- D: Cable clamps (2)
- E: Thimble
- F: Turnbuckle
- G: Cable; thimbles (2); cable clamps (4)
- H: Plate with ring
- I: Grip base
- J: U-bolt (must have U-bolt over dead end of cable)
- K: Dead end

Install the lights

Scope: This step covers *only* the mechanical installation of the lighting fixtures and running the light cables through the roof to a junction box. A qualified electrician should wire the junction box to the air heater control panel as specified in “Perform electrical hookup” (page 55).

Prerequisites: The booth must already be assembled.

References:

- Refer to the Light Fixture Installation instructions that ship with the light fixtures for instructions on installing the light fixtures into the panels.
- Refer to the Wire Harness page of the Design Drawings.
- For optional light accessories, refer to the following pages in the Design Drawings:
 - Reflector Light Fixture
 - Corner Light Harness
 - Corner Light Installation

Install the platform panels

Prerequisites: The booth lighting must already be installed as directed in “Install the lights” (page 47).

Reference: Refer to the Structural Frame Assembly page of the Design Drawings.

1. Caulk the roof panels in the area where the platform panels will be installed.
2. Install the platform panels.

If applicable: Install optional booth accessories

Scope: This task applies only to booths that include optional accessories (for example, a parts hanger, tool cabinet, and so on).

Prerequisites: The booth lighting must already be installed as directed in “Install the lights” (page 47).

References:

- Refer to the appropriate Addendum page in the Design Drawings. (Addendum pages are numbered with an “A-” prefix.)
- Refer to the appropriate Wall Assembly page(s) in the Design Drawings for accessories that are incorporated into the wall panels, such as observation windows and rotating booth access tables.

Install the operator interface terminal

NOTE

Ensure that the placement of all electrical devices meets the NEC requirements for clearance from combustible areas.

Reference: Refer to the HMI Installation page of the Design Drawings.

Install miscellaneous electrical devices

NOTE

Ensure that the placement of all electrical devices meets the NEC requirements for clearance from combustible areas.

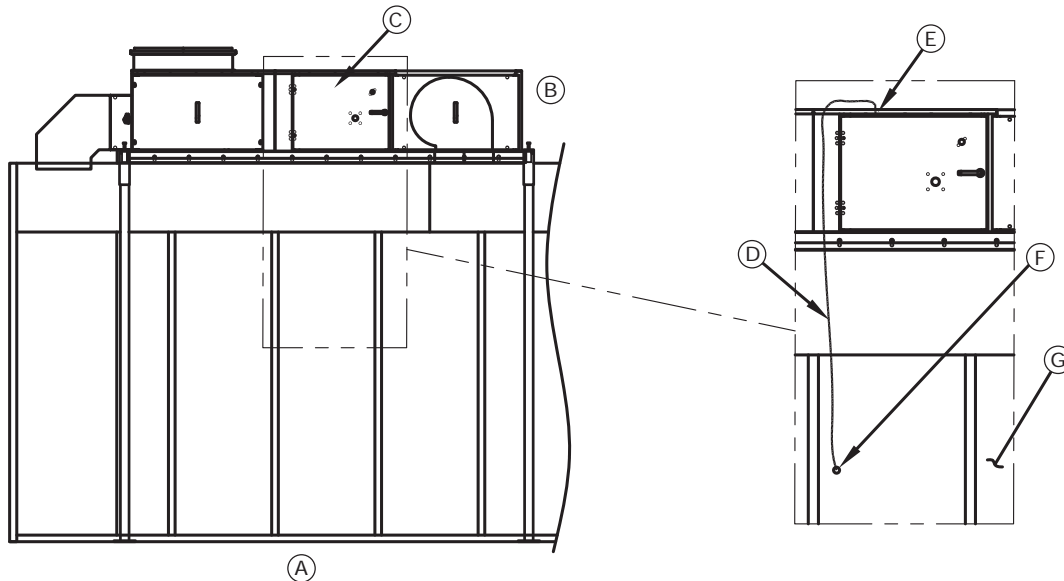
NOTE

This section provides instructions for installing miscellaneous electrical devices. As you install each device, retain any unused hardware. Place unused hardware in a bag and tape it to the device so that it will be available for the electrician.

Install the air-sensing tube

NOTE

The high-pressure air-sensing pressure tip must be located on the same side of the booth as the control panel, at least 84 inches from the floor and at least 24 inches from any corner.



- A:** Booth (side view)
- B:** Air heater
- C:** Control panel door
- D:** High-pressure air-sensing tube (AST)
- E:** Bulkhead fitting
- F:** High-pressure air-sensing pressure tip (mounted to inside of wall)
- G:** Booth sidewall

1. Drill a 1/4-inch hole through the booth wall panel.

NOTE

The hole must be at least 84 inches from the floor and at least 24 inches from any corner.

2. Push the tubing through the wall.
3. Attach the high-pressure air-sensing tip and secure it to the inside of the booth wall.
4. Drill a hole in the side of the control panel for the bulkhead fitting.

5. Run tubing through the bulkhead fitting and attach it to the high-pressure fitting inside the control panel.
6. Attach a short tube (2-3 inches) to the low-pressure fitting inside the control panel.

Install the temperature sensor

Reference: Refer to the following sections of the Temp Sensor & Diffuser/Baffle page of the Design Drawings:

- Temp Sensor Installation
- Horizontal Discharge SpaceSaver Air Heater

***If applicable:* Install the damper actuators**

Scope: This task applies only to a booth that uses a recirc air heater. If the booth uses a forced-dry air heater, skip this task.

NOTE

This task covers the mechanical installation of the damper actuators. An electrician will perform the wiring from the actuators to the control panel, as described in “Perform electrical hookup” (page 55).

Reference: Refer to the Air Heater page of the Design Drawings and to the manufacturer's documentation that shipped with the damper actuators.

Install the air solenoid valve

Prerequisites: The booth's air supply line must already be installed.

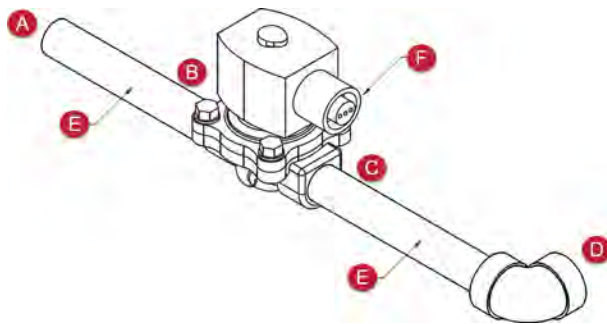
NOTE

This task covers the installation of the directional valve in the compressed air line piping, and is usually performed by a plumber or mechanical contractor. An electrician will perform the wiring from the valve to the control panel, as described in "Perform electrical hookup" (page 55).

Install the air solenoid valve as close as possible to where the compressed air enters the booth, but no closer than 3 feet to any door or opening.

NOTE

Refer to the following diagram to complete this task:



- A: From building air supply*
- B: Inlet*
- C: Outlet*
- D: Through booth wall*
- E: NPT pipe nipple (size will vary)*
- F: Conduit with wiring to control panel*

Install the Economy Mode switch

Prerequisites: The booth's air supply line must already be installed.

NOTE

The Economy Mode switch is standard on all auto refinish booths that have an air heater.

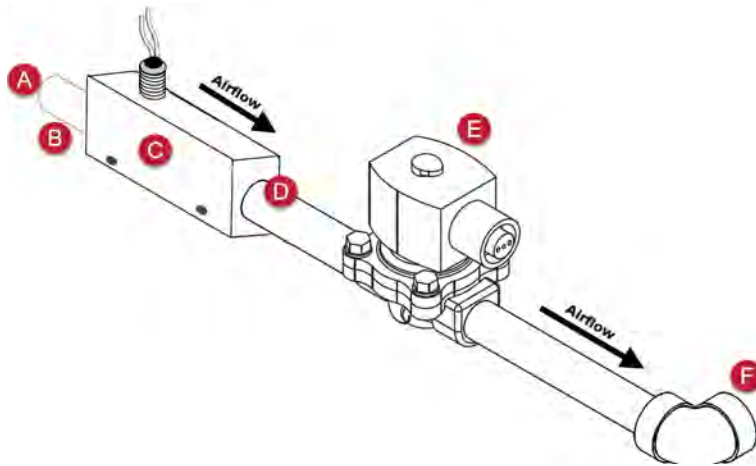
NOTE

This task covers the installation of the switch in the compressed air line piping and is usually performed by a plumber or mechanical contractor.

NOTE

Compressed air must be clean, filtered, and dry.

Connect the Economy Mode switch into the air line just before the air solenoid valve (i.e., between the air supply coming from the building and the air solenoid valve).



A: From building air supply

B: 1/2-inch NPT

C: Economy Switch

D: Outlet

E: Air solenoid valve

F: Through booth wall

NOTE

Install the switch horizontally, with electrical to the top.

Figure 5. Economy Switch Installation (Thomas Products Model Number 1500)

Install the air-proving switch for the exhaust stack

Reference: Refer to the instructions for Exhaust Airflow Switch Installation in the Electrical Drawings document.

NOTE

For information on locating the Electrical Drawings document, refer to “Gathering required documentation” (page 14).

***If applicable:* Install the puff switch**

Scope: This task applies only if the booth includes the GFS AdvanceCure System and the site purchased the optional puff switch with their booth.

NOTE

A puff switch is a switch located inside the booth that can be used to turn AdvanceCure on and off. It can be mounted anywhere on the inside of the booth. Mounting hardware and instructions are provided with the device.

Secure the wall panels to the floor profile

Reference: Refer to the Floor Profile Tek-Screw Detail page of the Design Drawings.

Caulk the booth

Prerequisites: The booth must already be assembled and anchored to the floor, and the booth lights must already be installed.

Reference: Refer to the Booth Caulking Guide page of the Design Drawings.

IMPORTANT

Do not caulk between fixed roof panels and explosion-relief panels. Caulking the explosion-relief panels will inhibit operation of the explosion-relief system. Refer to the Roof Panels page of the Design Drawings for details.

Prepare the air heater for startup

1. Vacuum or sweep out the intake plenum and air heater (intake and exhaust side) to remove any debris that accumulated during installation.
2. *If necessary:* Install filters in the air heater.

NOTE

This step applies in cases where you removed air heater filters in order to complete installation steps, or in cases where the air heater filters have not yet been installed.

Install booth filters

Prerequisites: Ensure that you have completed all other tasks before installing the filters. (Waiting until the end of the procedure to install the filters helps ensure that the filters remain clean.)

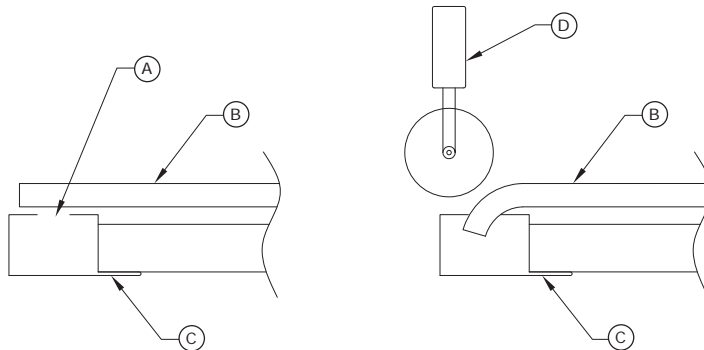
Install the filter racks and intake filters

NOTE

Perform this task for each filter rack.

1. Obtain a filter rack and place it on two sawhorses, with the flat side of the filter rack facing down.

2. Place the filter media on top of the filter rack, with the writing on the filter media facing down.
3. Use a filter-insertion tool (metal pizza cutter) to push the filter media into the slot all around the perimeter.



- A:** Slot in filter rack
B: Filter media
C: Filter rack
D: Filter-insertion tool (metal pizza cutter)

4. Install the filter rack in the ceiling of the booth.

Install the exhaust filters

Prerequisites: Complete all other installation tasks before installing the filters. Waiting until the end of the procedure to install the filters helps ensure that the filters remain clean.

NOTE

On a semi-downdraft booth, the exhaust filters are inserted into the filter racks of the exhaust bridge chamber.

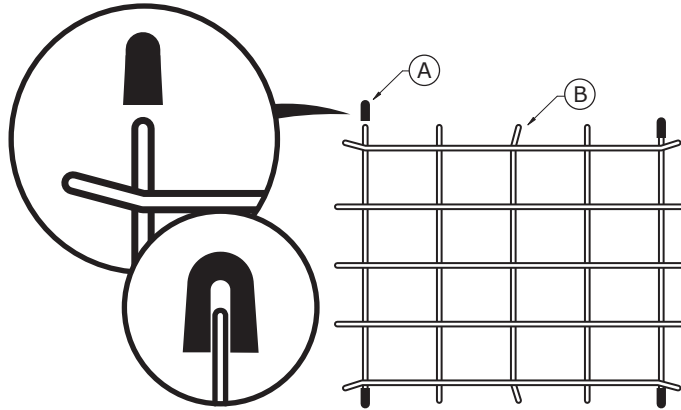
1. Remove the filter grids from the carton.
2. Place rubber tips onto the four straight corners of the filter grids.

NOTE

The rubber tips hold the grid in place.

NOTE

Do not push the rubber tip all the way onto the grid end.

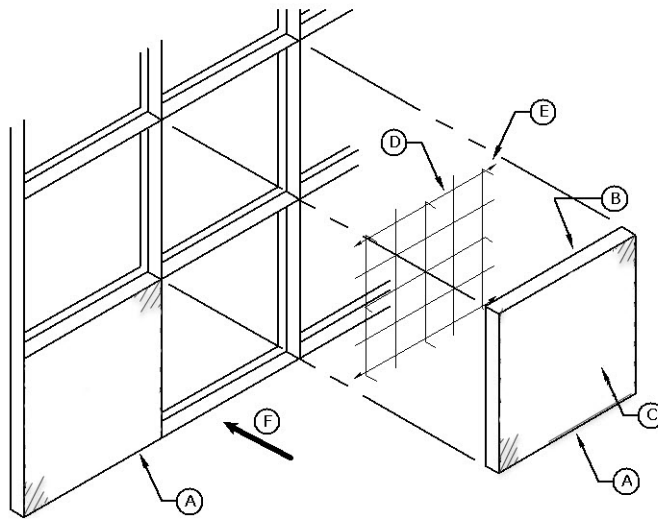


A: Rubber tip
B: Filter grid

3. Place the grids into the openings in the exhaust chamber filter racks; then install the filters onto the grids.

NOTE

Pay attention to the orientation of the filter, as shown in the accompanying diagram.



A: Exhaust filter
B: Air-leaving side (dense side of filter)
C: Air-entering side
D: Filter grid
E: Rubber tip on grid corner
F: Airflow

Perform electrical hookup

WARNING

Electrical installation should be completed by a qualified electrician. Installation must meet all applicable national, state, and local electrical codes.

Reference: Refer to the Electrical Drawings while completing this task.

NOTE

For information on locating the Electrical Drawings document, refer to “Gathering required documentation” (page 14).

1. Connect the building's Main Power supply to the air heater control panel.

NOTE

Refer to electrical data plate for electrical requirements.

WARNING

Do not energize until you are ready to test motor rotation during commissioning and startup (see “Perform commissioning and startup” (page 56)).

2. Complete the wiring from these motors to the air heater control panel:
 - Exhaust motors
 - *If applicable:* AdvanceCure fan motors
3. Wire the lights from the junction box to the air heater control panel.

NOTE

Lights have five conductor cables:

- Black (hot) and white (neutral): Power
 - Orange and red: Proximity switches
 - Green: Ground
4. Wire the proximity switches on product doors and personnel doors to the air heater control panel.

NOTE

Proximity switch wire colors are:

- Brown: Hot
 - Black: Signal
 - Blue: Common
5. Wire these electrical devices to the air heater control panel:
 - **Operator interface terminal:** Wire from terminal to control panel.
 - **Temperature sensor:** Wire from probe to control panel.
 - *If applicable:* **Damper actuators:** Wire from actuator to control panel.
 - **Air solenoid valve:** Wire from valve to control panel.
 - **Economy valve** (aka Economy Mode switch): Wire from valve to control panel.
 - *If applicable:* **Puff switch** (in-booth on/off switch for AdvanceCure): Wire from switch to control panel.

Perform commissioning and startup

Prerequisites:

- The booth must be fully assembled and caulked.
- Intake filters and exhaust filters must already be installed.
- The air heater must have been vacuumed or swept out, and the air heater filters must already be installed.
- An electrician must have completed the electrical hookup.

NOTE

A trained GFS Distributor usually performs booth startup. The person who performs booth startup is responsible for completing the Final Commissioning Document and returning a signed copy to GFS.

Reference: Refer to the Final Commissioning Document. (For information on locating the Final Commissioning Document, see “Gathering required documentation” (page 14).)